

# Del Ray Artisans

## CALL FOR PROPOSAL

### Proposal for “Bevin Skiff” Boat Design/Painting

Contact: John Bordner, [JBordner@wiscenterprises.com](mailto:JBordner@wiscenterprises.com)

#### What does Del Ray Artisans have in common with the Alexandria Seaport Foundation?

Service to community, the promotion of our art, educating the public...and now a boat! The Alexandria Seaport Foundation (ASF) is building a 6-foot scale model of their Bevin Skiff, and we're soliciting proposals from y'all to paint 'er up on Saturday, September 7 from 10am-4pm during the Alexandria Art Market. The boat will then debut at the Alexandria Seaport day on September 28, 2013.

Gather a Design Team of your choice, because this is a lot of work. Your concept may include more than paint—e.g. lighting, sculptural additions...whatever!

#### Here's what you need to know to submit a proposal:

**A scale, non-functional model of a Bevin Skiff (schematics and photos of the original 12-foot boat are attached;** cut all measurements in half). Construction will be of wood and a wooden frame covered in canvas.

#### Here's the timeline...

- AUG 9: Final date of proposals submittals to John Bordner at [JBordner@wiscenterprises.com](mailto:JBordner@wiscenterprises.com)
- AUG 13: Del Ray Artisans (DRA) Board will choose winning design.
- AUG 30: Tentative completion of the boat by ASF.
- SEP 2: The boat will be at DRA for surface prep and roughing in design (as desired).
- SEP 7: Alexandria Art Market! This is when we'd like to do most of the painting...drawing attention to our master artists at work!
- SEP 8 – 25: Finish painting and artistic embellishments.
- SEP 28: Alexandria Seaport Day at Waterfront Park! The finished boat will make its debut!

This is a collaborative effort between two outstanding Alexandria non-profits, and is a celebration of Alexandria, its seafaring history, and the spirit of its people. The finished work will show off both organizations, and we're looking into ultimately auctioning off the boat for the benefit of ASF and DRA. Not only that, but it should be a hoot as well...enjoy!

**More information:** Please see the ASF web site for more information about this inspiring local non-profit organization: <http://alexandriaseaport.org>. Email John Bordner with any questions: [JBordner@wiscenterprises.com](mailto:JBordner@wiscenterprises.com)



**Del Ray Artisans gallery**  
Nicholas A. Colasanto Center  
2704 Mount Vernon Avenue  
Alexandria, VA 22301-1124  
[www.TheDelRayArtisans.org](http://www.TheDelRayArtisans.org)  
703.838.4827

Thursdays: Noon – 6 pm  
*First Thursdays:* Noon – 9 pm  
Fridays: Noon – 9 pm  
Saturdays: 10 am – 9 pm  
Sundays: Noon – 6 pm

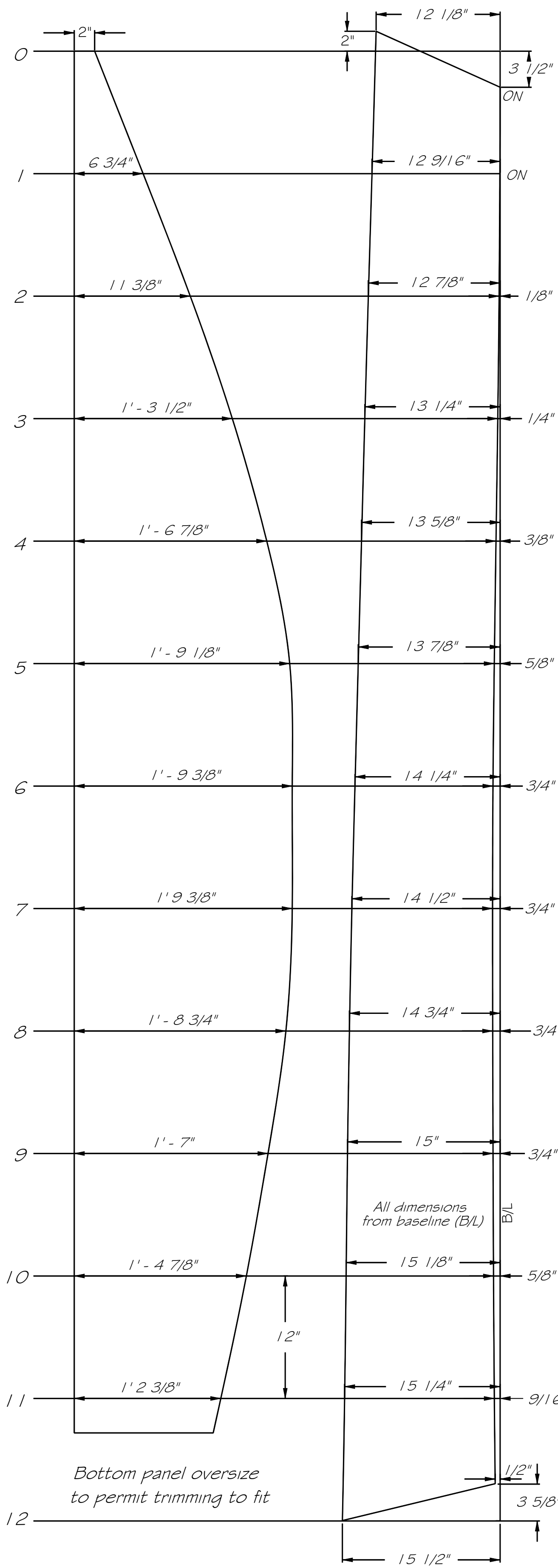
Supported in part by:



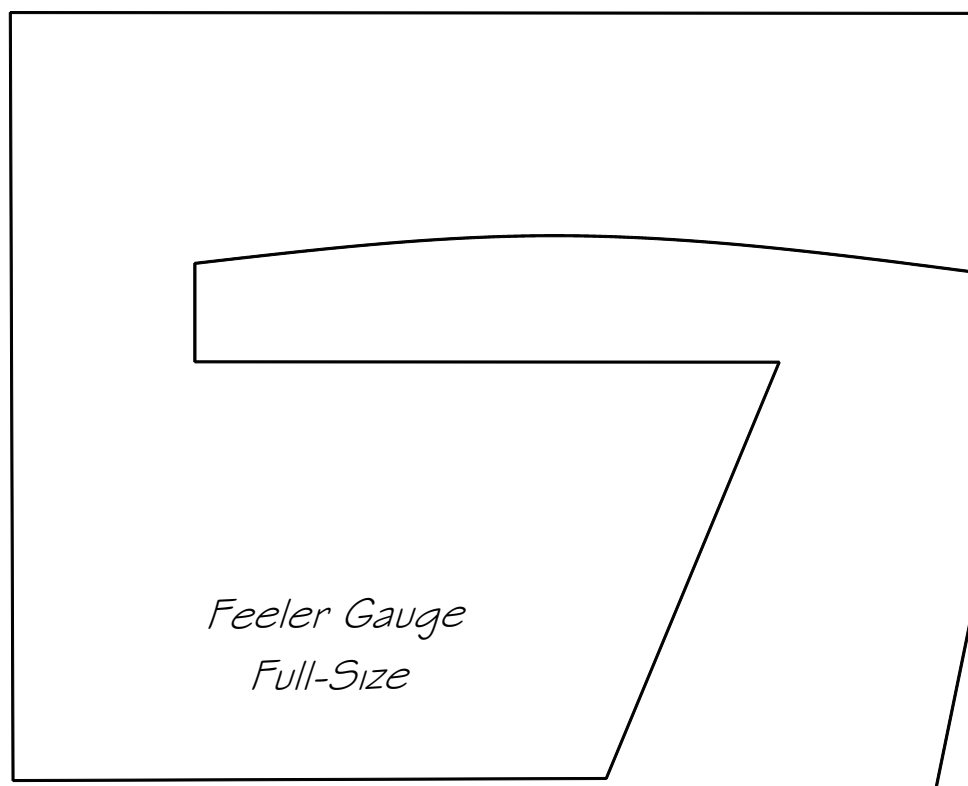
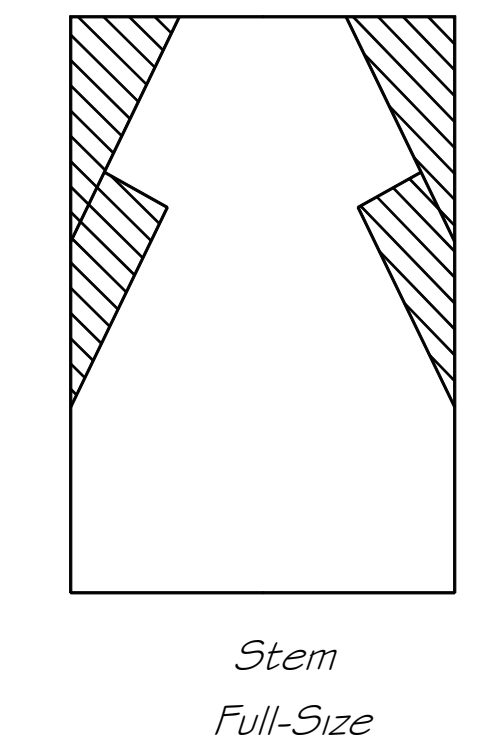
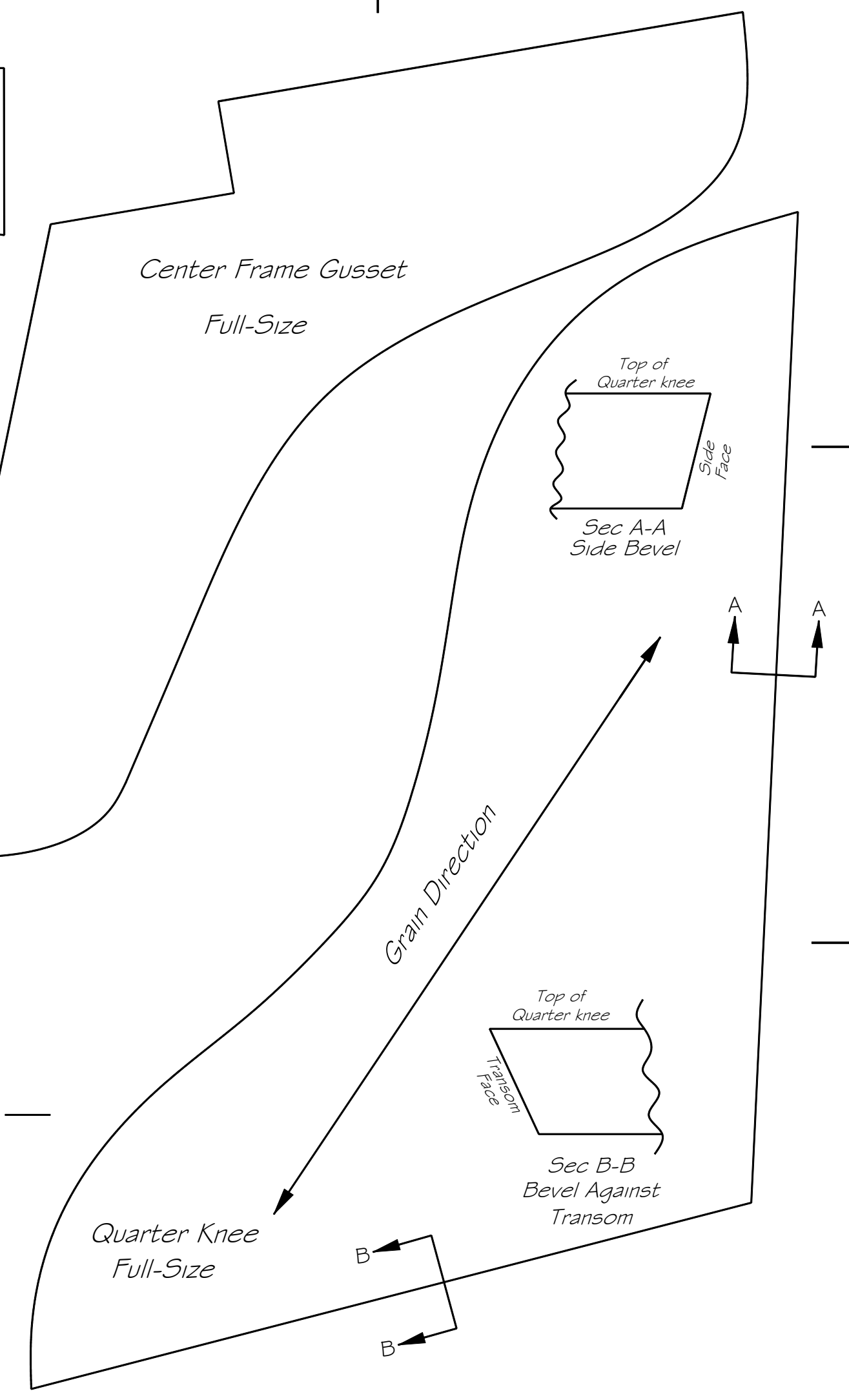
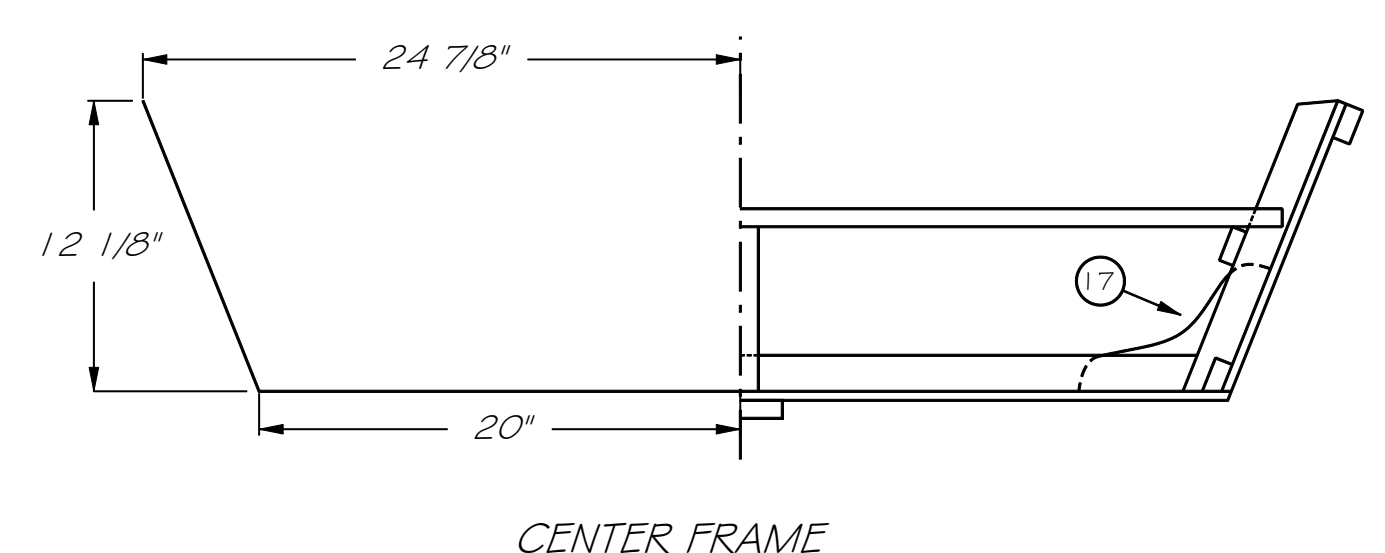
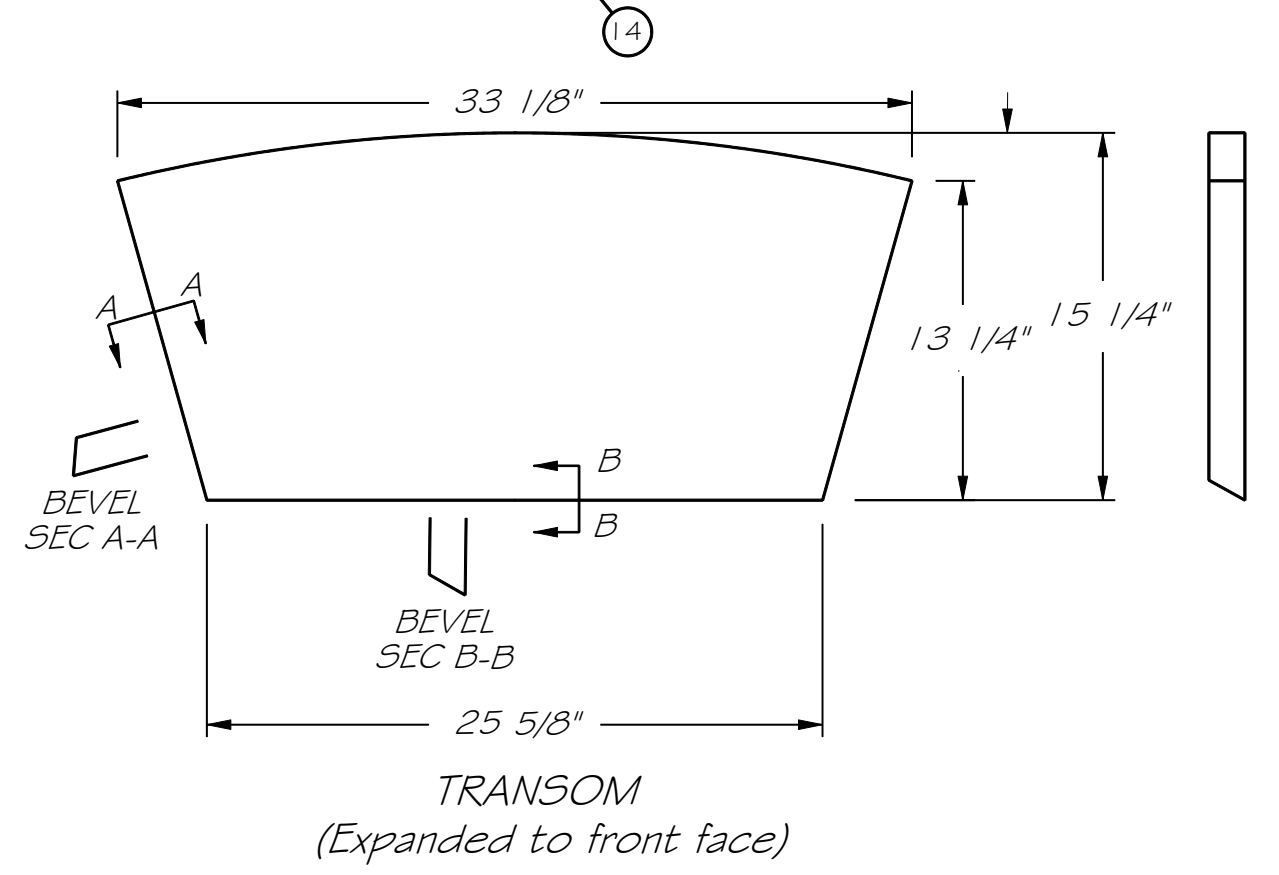
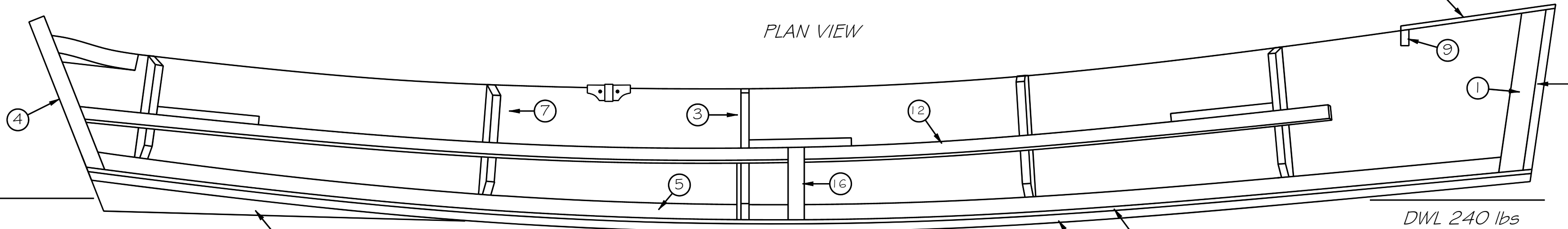
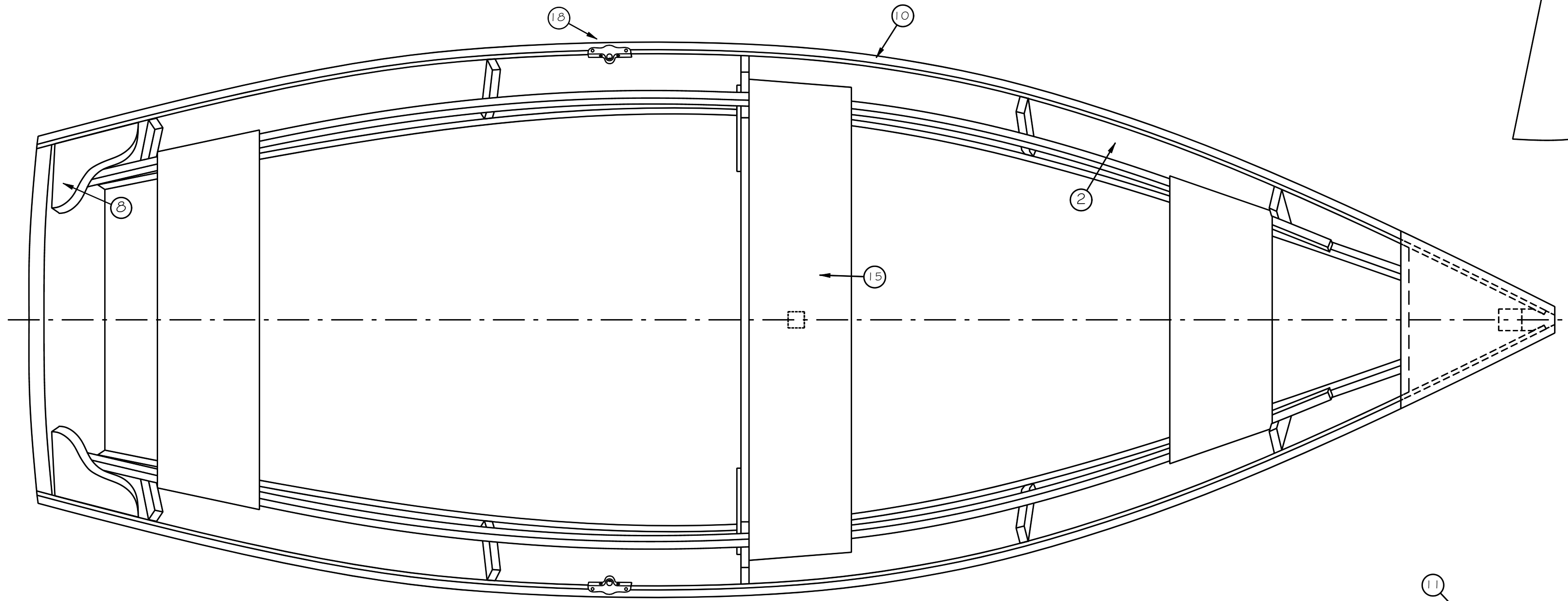
VIRGINIA  
COMMISSION  
for the  
*Arts*





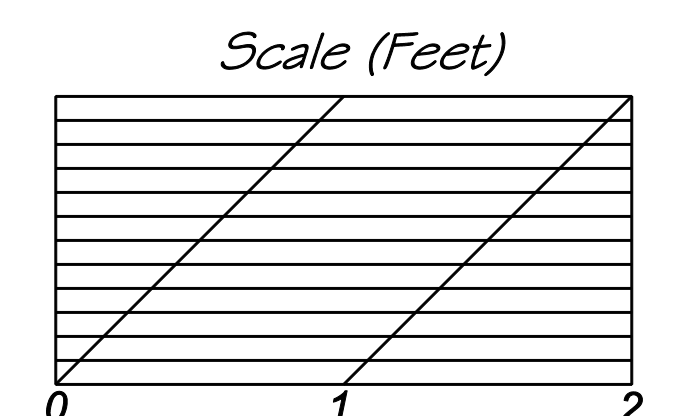


#	ITEM	DIMENSION	MATERIAL	NAILS
1	Stem	2" x 3"	White Oak	1-1/2"
2	Side Panels	3/8"	Mahogany Marine Plywood	
3	Center Frame	1-1/2" x 3/4"	Spruce or Fir	1-1/2"
4	Transom	1-1/2"	Spruce or Fir	2"
5	Chine	1-1/2" x 3/4"	Spruce or Fir	1-1/2" Bottom, 1" Side @ 4" spacing
6	Bottom	3/8"	Mahogany Marine Plywood	
7	Frame (Typical)	1-1/2" x 3/4"	Spruce or Fir	1-1/2"
8	Quarter Knee	1-1/2"	Spruce or Fir	1-1/2" # 2"
9	Deck Beam	1-1/2" x 3/4"	Spruce or Fir	1-1/2"
10	Rail	1-1/2" x 3/4"	Spruce or Fir	1" @ 4" spacing, 1-1/2" at knees
11	Fore Deck	3/8"	Mahogany Marine Plywood	1" @ 3" spacing
12	Seat Riser	1-1/2" x 5/8"	Spruce or Fir	1-1/2"
13	Keel	3/4" x 3-1/2"	Spruce, Fir or Northeastern Pine	1" # 1-1/2" @ 4" spacing
14	Skeg	3/4" x 3-1/2"	Spruce, Fir or Northeastern Pine	1" # 1-1/2"
15	Seat (Typical)	3/4" x 9-1/4"	Spruce, Fir or Northeastern Pine	
16	Seat Support	1-1/2" x 1-1/2"	Spruce or Fir	
17	Center Frame Gusset	3/8"	Mahogany Marine Plywood	Nail Count
18	1/2" Edge Socket Orlocks			1-1/2" - 188; 1" - 204; 2" - 18



Center Frame Gusset Full-Size

Dimensions:  
 LOA 11' 8"  
 Beam 4' 4"  
 Draft 3" at 240 lb Disp  
**MAX CAPACITY 3 persons or 450 LBS**  
 500 LBS Persons & Gear  
 Not Rated for Propulsion by Motor



**BEVIN'S SKIFF**  
 STRETCHOUTS & CONSTRUCTION  
 Sheet 1 of 1

DATE: 22 Apr 2004 Update SCALE: 1-1/2" = 1' 0"  
 Designed by Joe Youcha Drawn by John Nicholson